

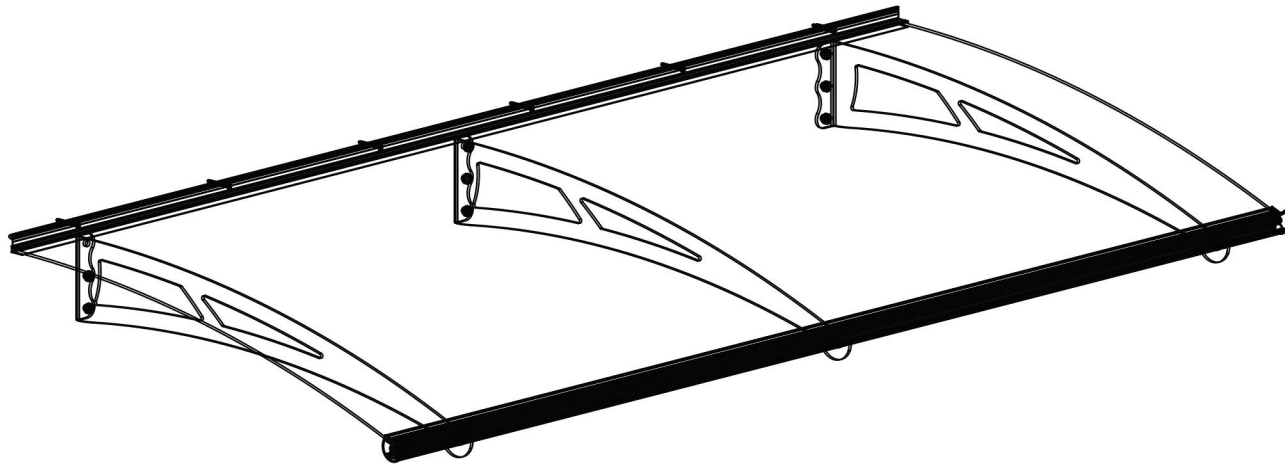
# Walbrook 4100 Over Door Canopy

Approx. Dim.

Width: 412cm (13ft 6ins), Depth: 91.5cm (3ft), Height: 17.5cm (7ins)

 **Wind Resistance**  
120 km/hr  
75 ml/hr

 **Snow Load**  
150 kg/m<sup>2</sup>  
35 lbs/ft<sup>2</sup>



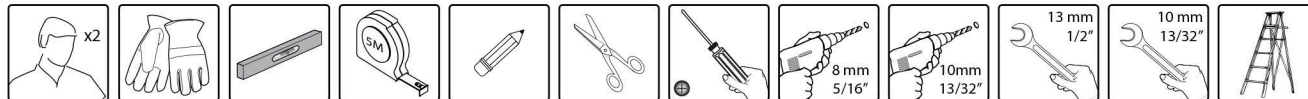
the  
**glazing**shop

T: 01536 446395

E: sales@theglazingshop.co.uk

W: www.theglazingshop.co.uk

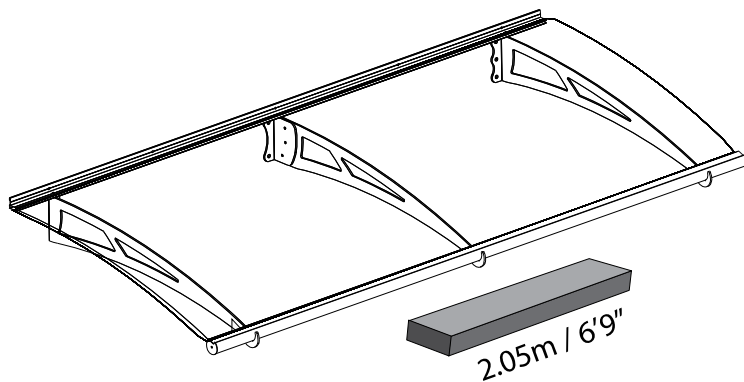
**EXTENDABLE  
PRODUCT**



**CE**  
EN 14963:2006  
Year of affix: 16

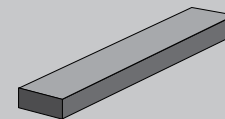
# Extending the Door Cover Aquila 2050 / Capella 2050

2.05m / 6'9"



Index

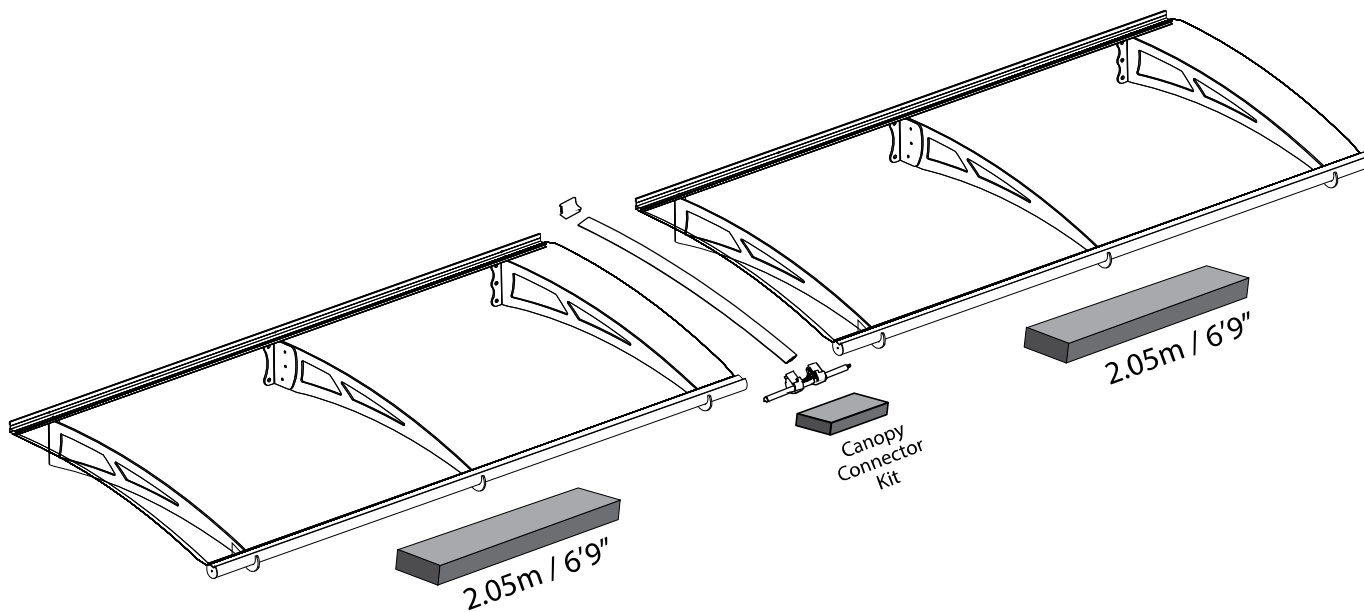
2.05m / 6'9"



Canopy Connector Kit  
0.01m / 0.4"



4.11m / 13'7"



## Door Cover



### Attention!

Please read these instructions carefully before you start to assemble this product.  
Please carry out the steps in the order set out in these instructions.  
Keep these instructions in a safe place for future reference.

### Safety Advice

- Sort the parts and check against the content list.
- For safety purposes we strongly recommend the product be assembled by two people.
- We strongly recommend the use of work gloves during assembly.
- Do not attempt to assemble the Door Cover in windy or wet conditions.
- Always wear shoes and safety goggles.
- Dispose of all plastic bags safely - keep them out of reach of small children.
- Keep children away from the assembly area.
- Do not attempt to assemble the Door Cover if you are tired, have taken drugs, medication or alcohol, or if you are prone to dizzy spells.
- When using a stepladder or power tools, make sure that you follow the manufacturers safety advice.
- Be sure to check that there are no hidden pipes or cables in the wall before drilling.
- Please consult your local authorities if any permits are required to install a Door Cover.
- Before assembly, consider the door's opening (inside or outside).
- Please apply silicone sealant to the rear edge in order to prevent water seepage.
- Tighten all screws when completing assembly.
- Keep roof and gutter clear of snow, dirt & leaves.
- Heavy snow load on roof can damage the product making it unsafe to stand below or nearby.

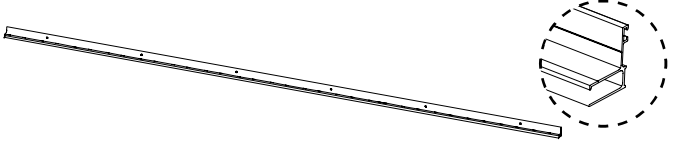
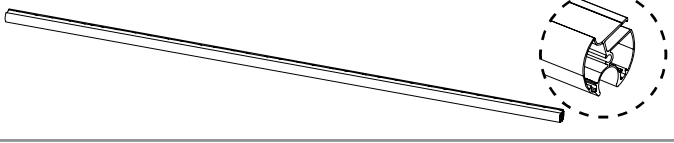

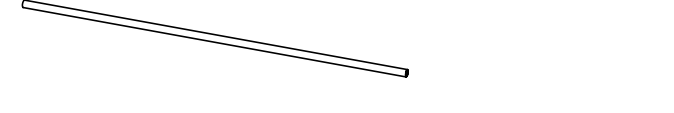
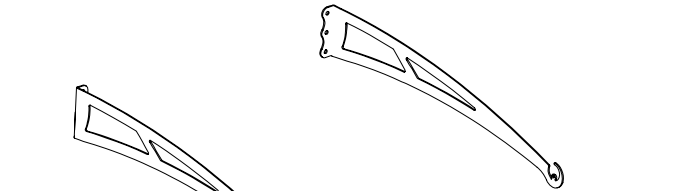
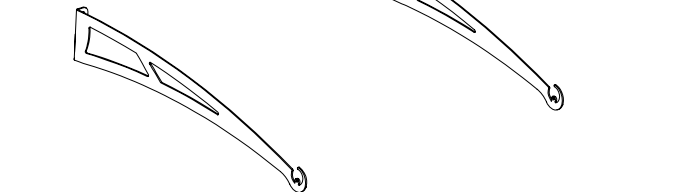


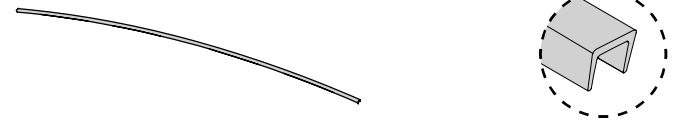
### Cleaning instructions


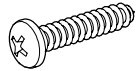
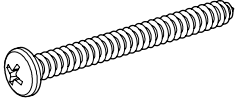
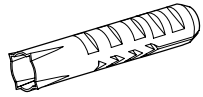
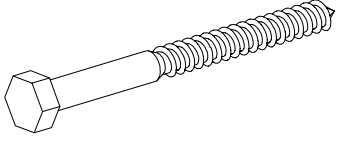
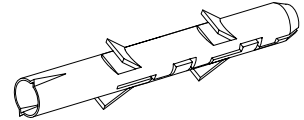
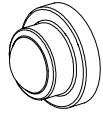

- Clean the product once assembly is complete.
- When your Door Cover needs cleaning, use a mild detergent solution and rinse with cold clean water.
- Do not use acetone, abrasive cleaners or other special detergent to clean the panel.


### Additional information

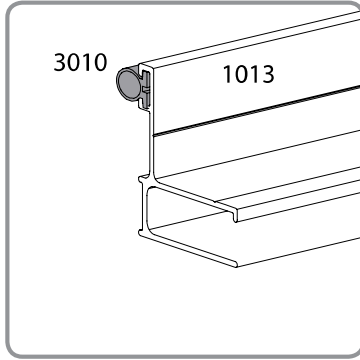
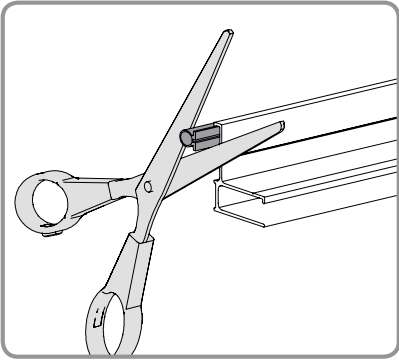
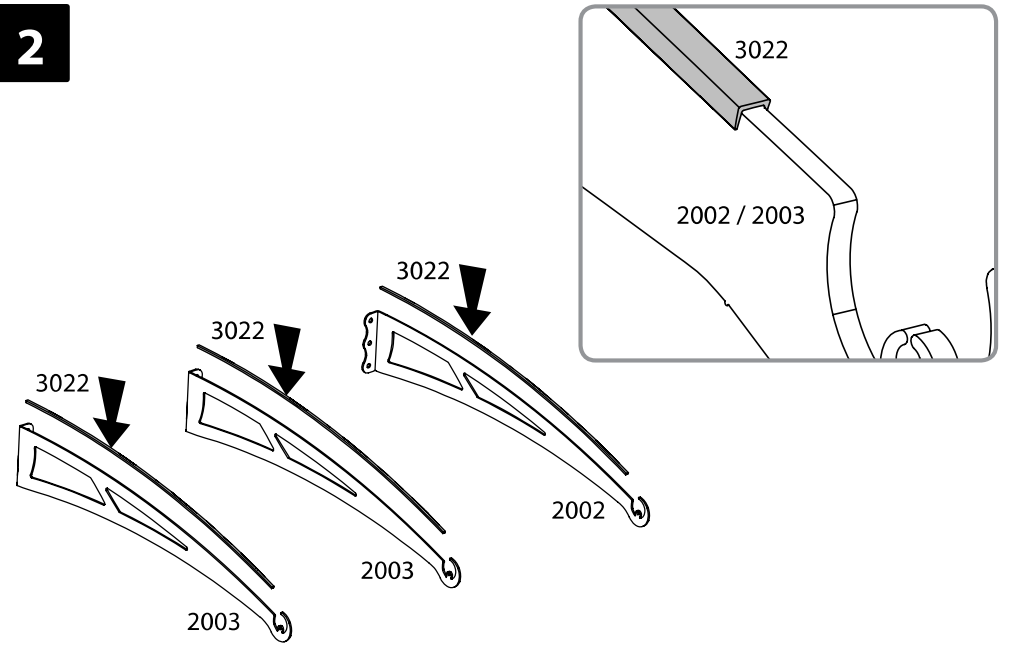
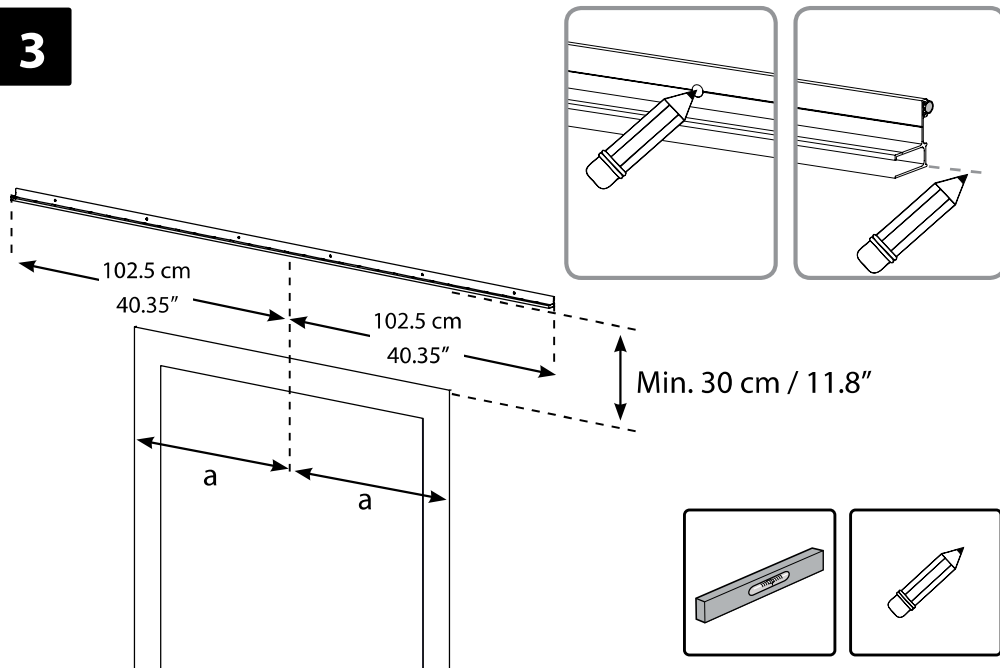
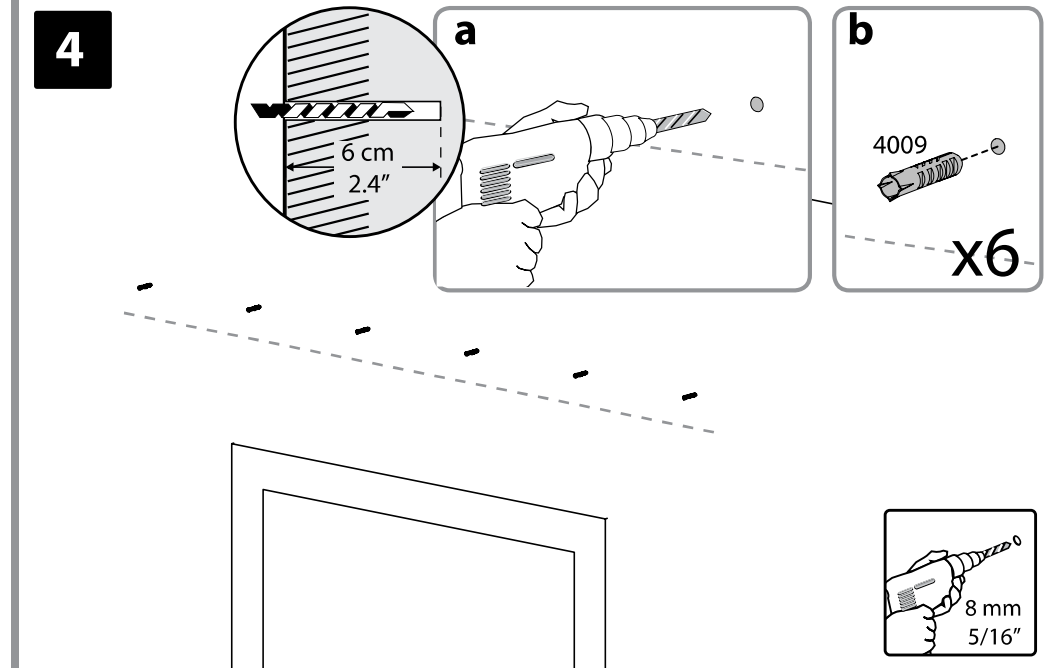
- The wall anchoring kit supplied with this product is suitable only for concrete walls. Other wall types need an accordant wall fixation kit.
- Please apply silicone sealant if needed
- You are solely responsible for determining whether the handling, storage, assembly, installation or use of this product is safe and appropriate in any location or for any given application. The manufacturer is not responsible for any damages or injury to you, any other person or any property resulting from the improper handling, storage, installation, assembly or use of this product, or the failure to follow the manufacturer's written instructions regarding the handling, storage, installation, assembly and use of this product. This product is intended for normal residential use only. Do not use this product for any application that is not recommended in these instructions or building codes in effect in location where this product will be used. Always take care and use appropriate safety equipment (including eye protection) when assembling or installing this product.
- **Please note:** it is possible to extend the canopy, however once fully assembled it is impossible to add the extension.

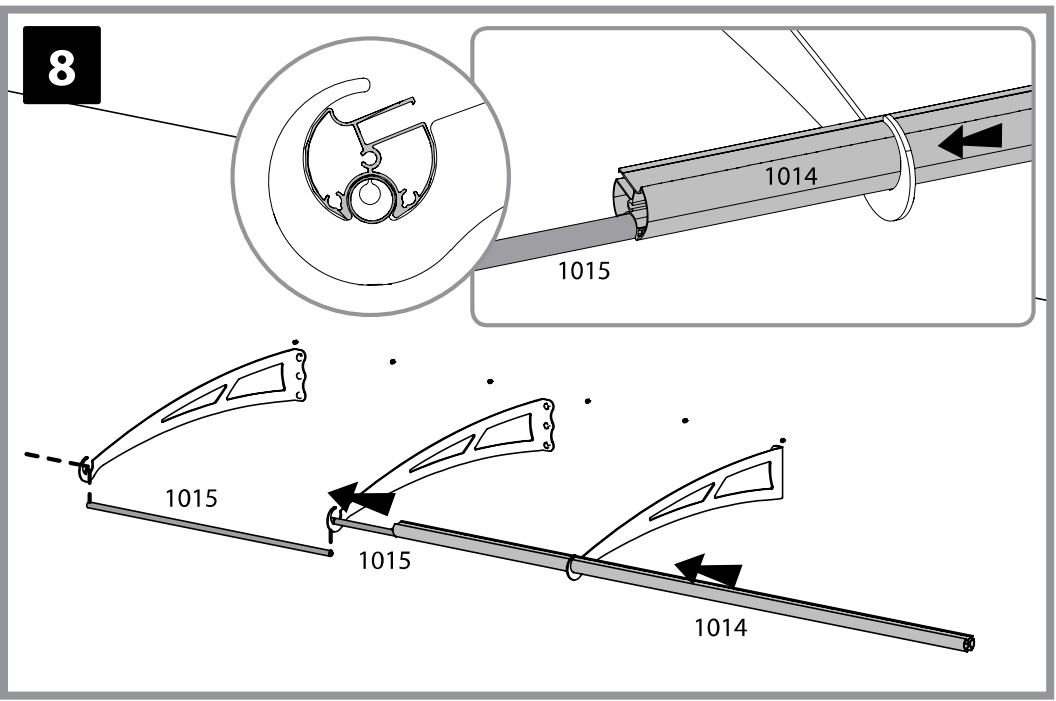
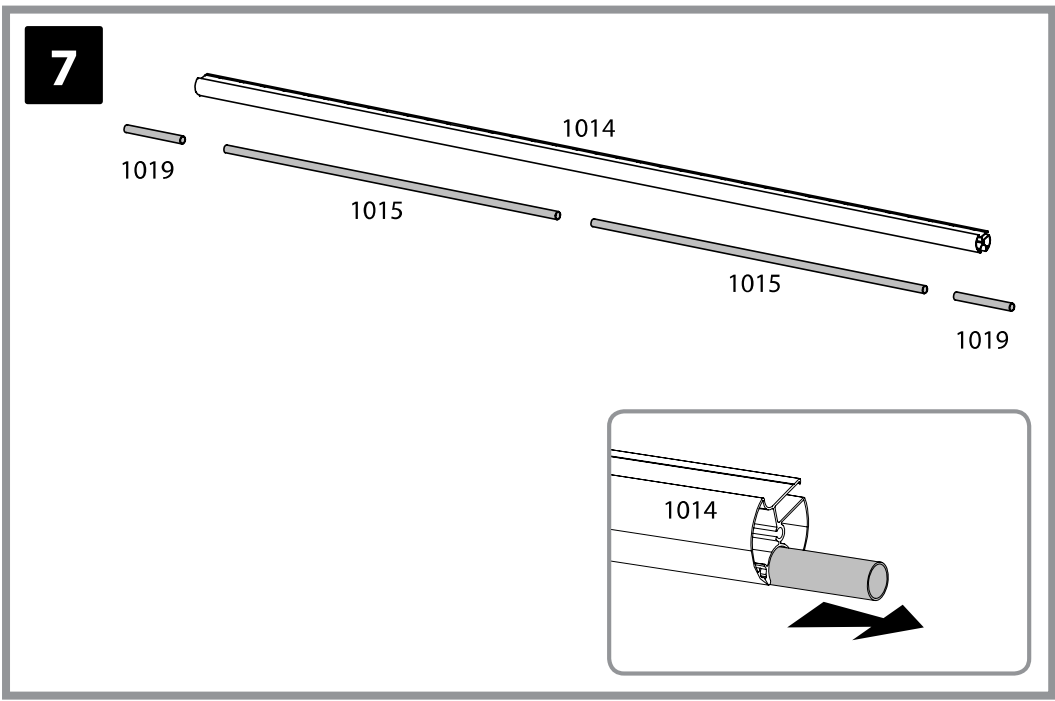
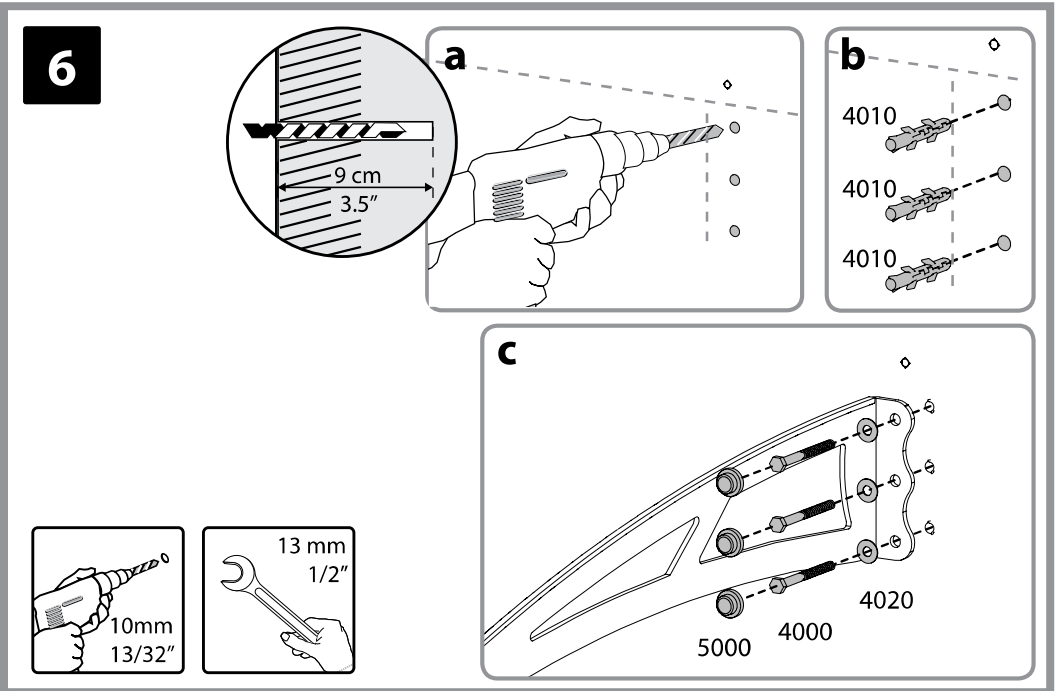
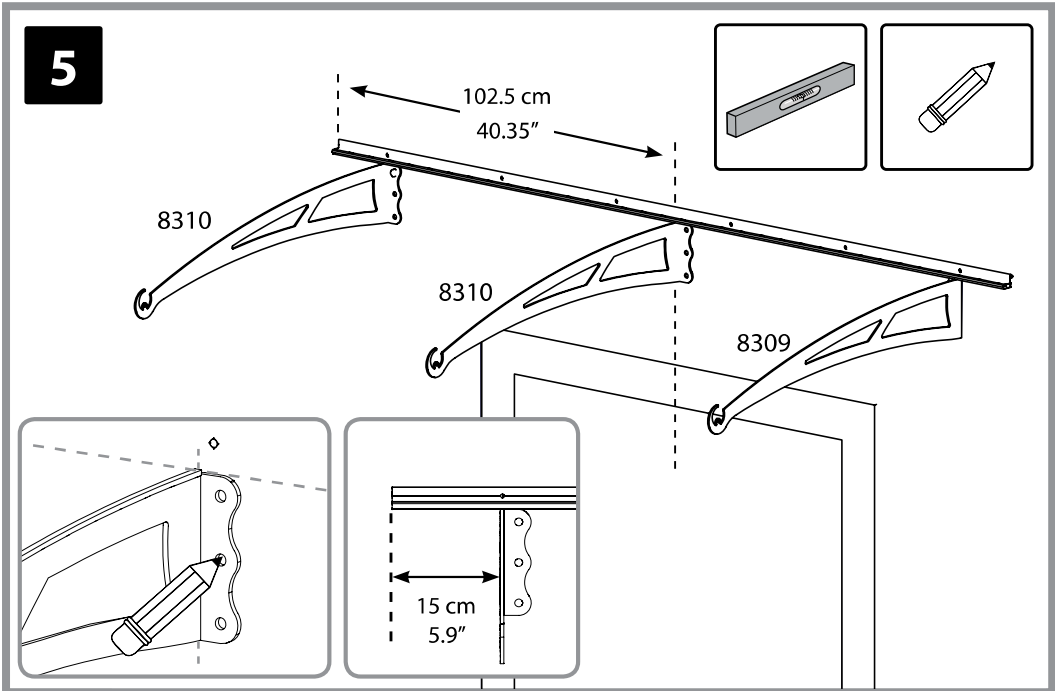
# Contents

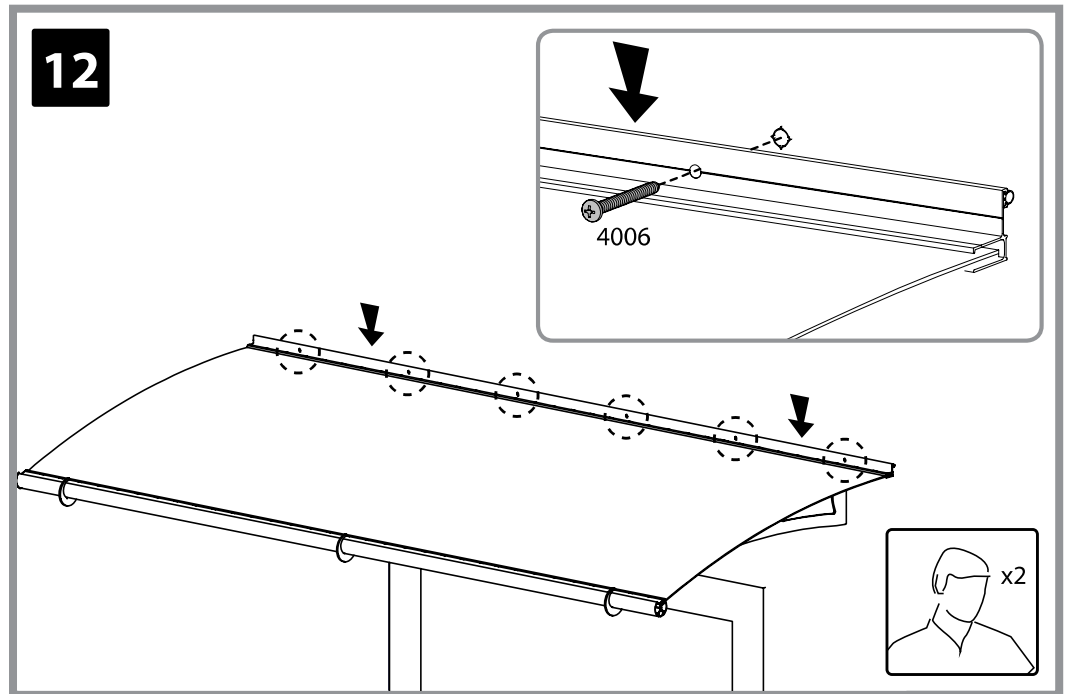
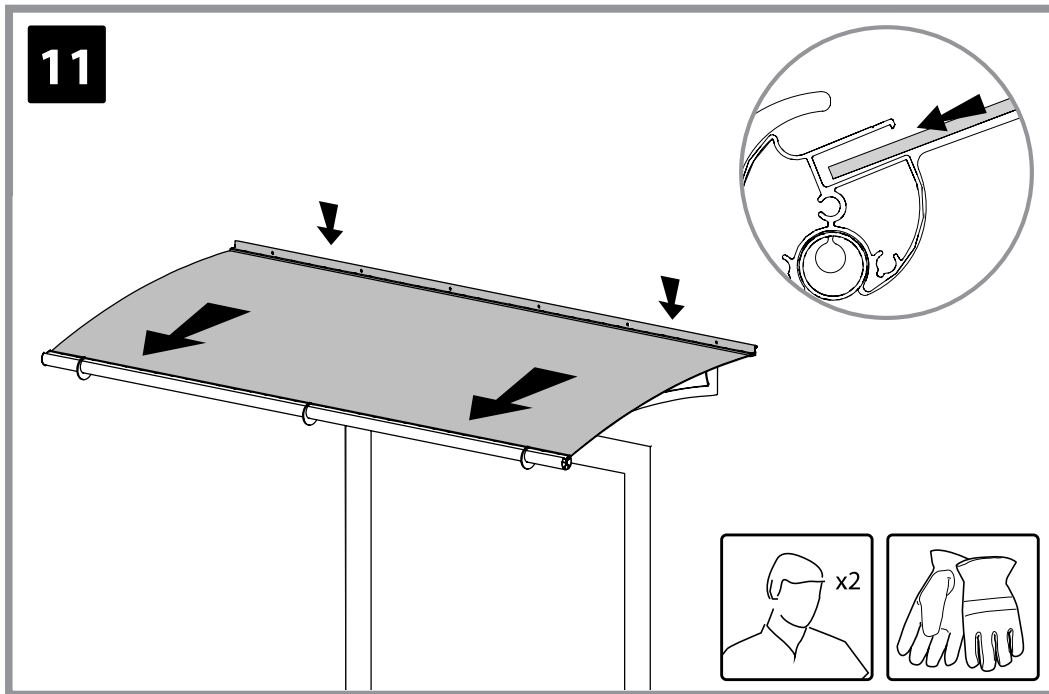
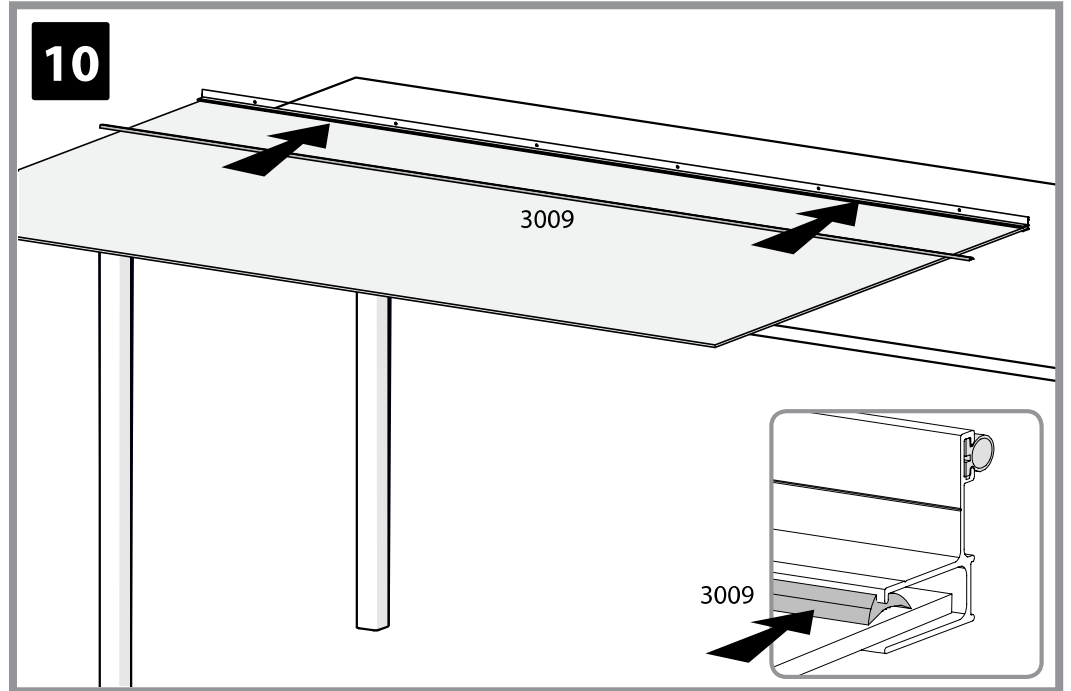
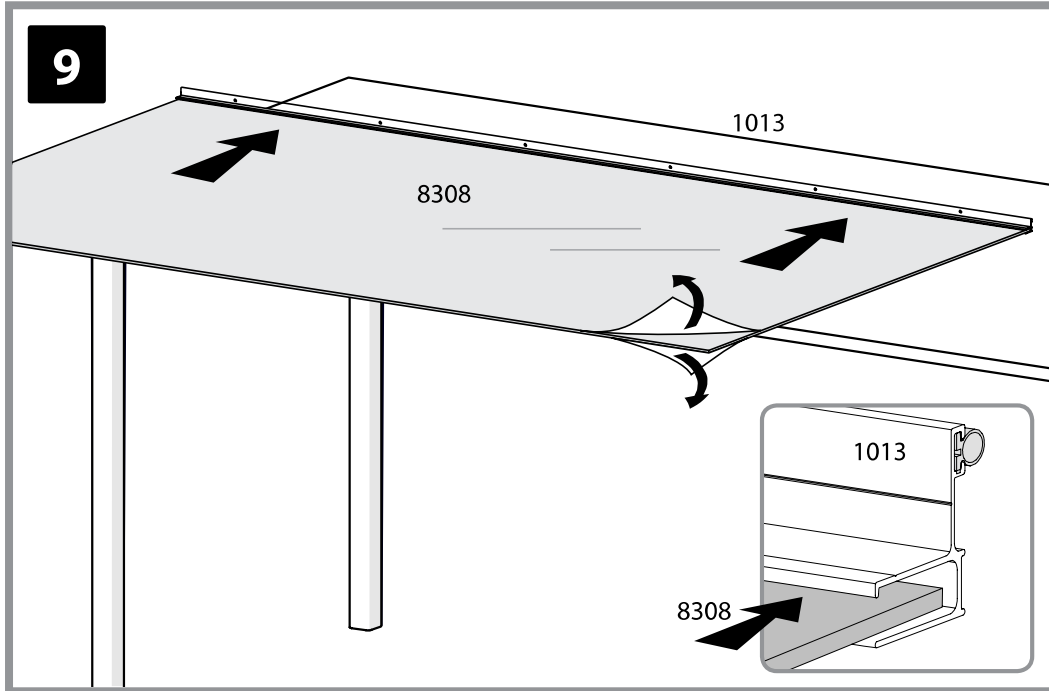
Item		Qty.
1013		1
1014		1
1019		2
1015		2
2002		1
2003		2
3009		2
3010		1
3022		3

Item		Qty.
1003		2
450		2
4006		6
4009		6
4000		9
4010		9
5000		9 (+3)
4020		9

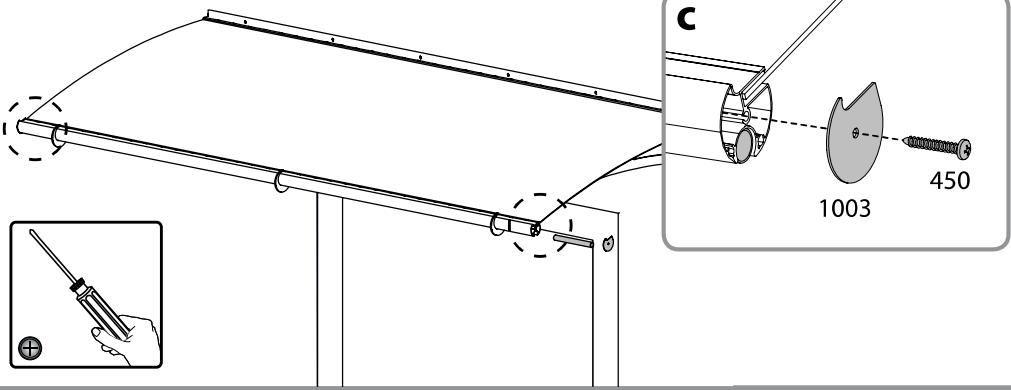
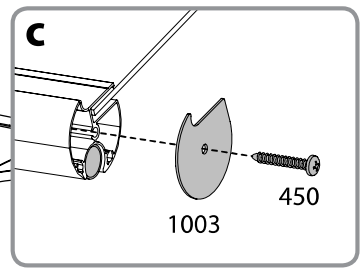
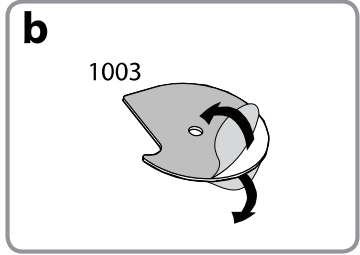
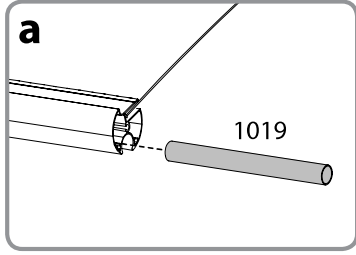
Item		Qty.
7873		1

**1****2****3****4**





13



14

