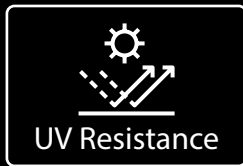
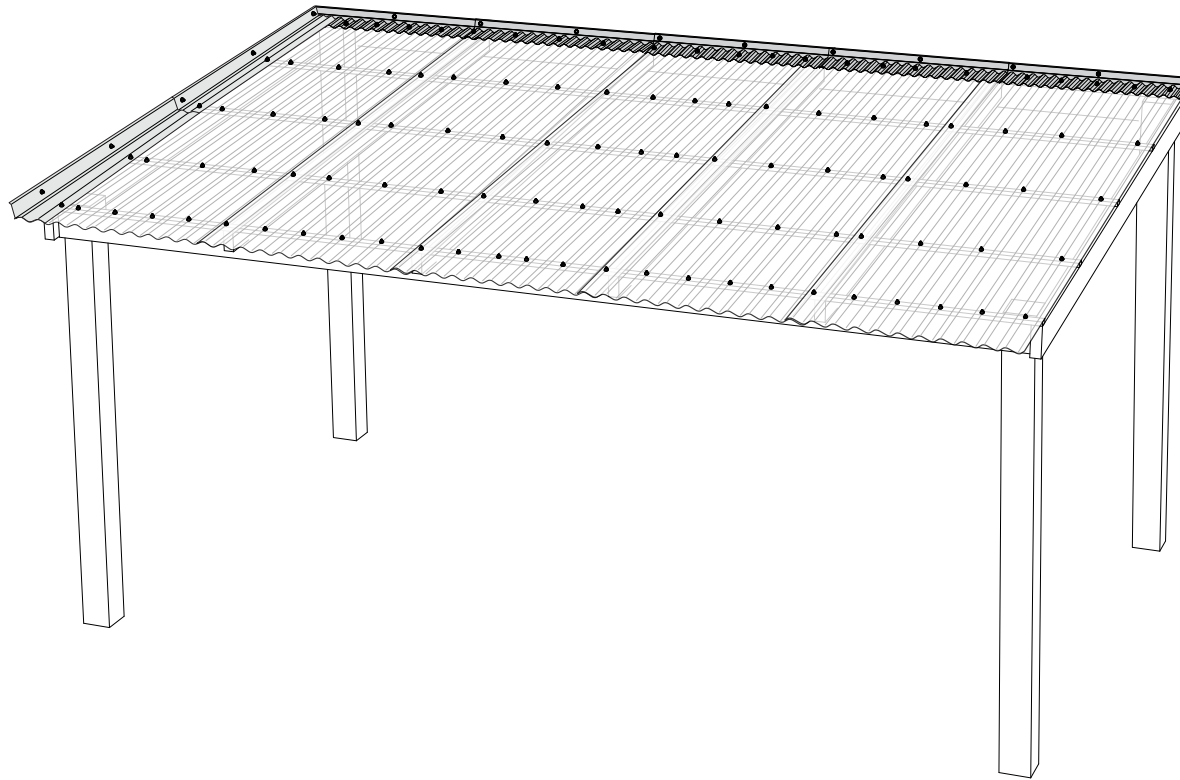




SUNTUF® DIY & Beehive | Installation Guide



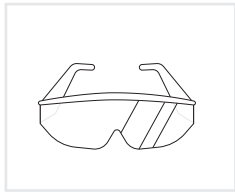
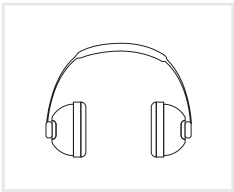
[SUNTUF® DIY - Product Page](#)

[SUNTUF® Beehive - Product Page](#)

[PALRAM Website](#)

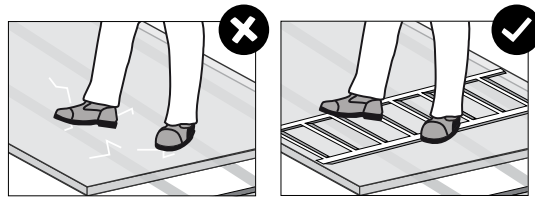
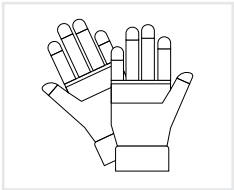
Installation

Safety comes first

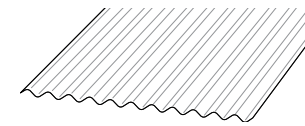


Do not step directly on the sheets between the purlins!

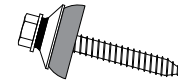
When installing SUNTUF or doing maintenance work, always consider the sheet to be unfit to support a person's weight. Always use stepping ladders or crawling boards, supported by minimum three roof structural elements, when working on a glazed roof of any kind.



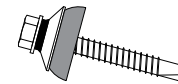
SUNTUF DIY



SUNTUF Iron/Greca

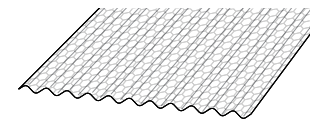


Self-tapping Screw
* For wood structure

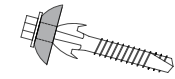


Self-drilling Screw
* For metal structure

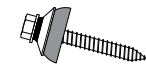
SUNTUF Beehive



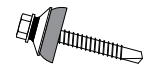
SUNTUF Beehive



Dual Action Fastener
* For wood & metal structure

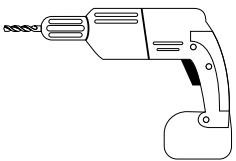


Self-tapping Screw
* For wood structure

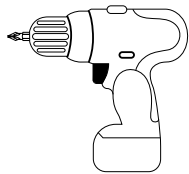


Self-drilling Screw
* For metal structure

Required Tools



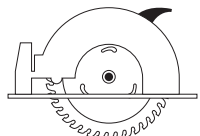
Drill



Electric screwdriver

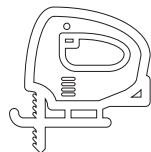


Ladder



Circular saw

or

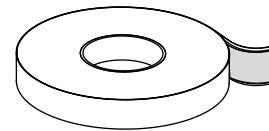


Jigsaw

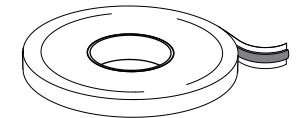


Measuring tape

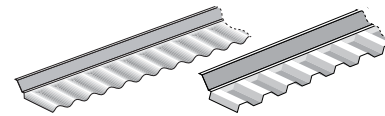
Optional



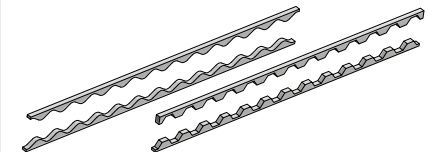
Foam tape



Butyl Tape



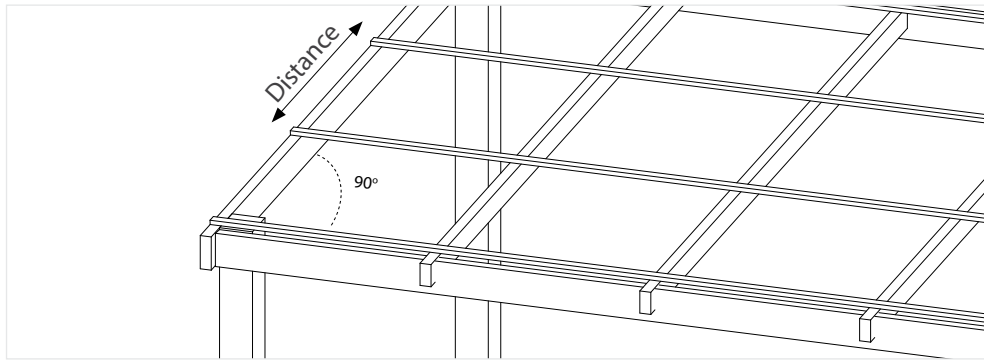
Top Wall Trim



Sealing Strips

Before Installation - Guidelines for substructure

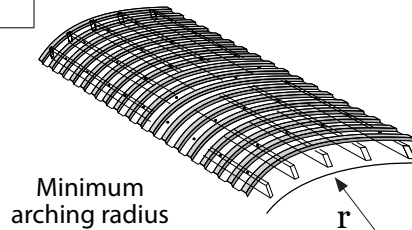
1 Purlin Spacing



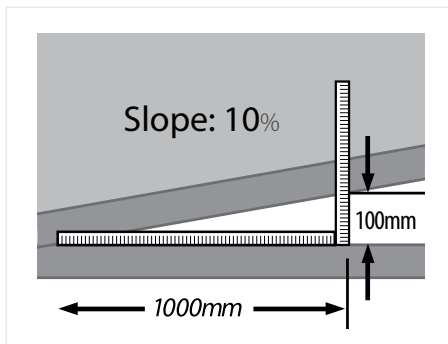
Ensure that the underlying roof structure is square before starting installation of the SUNTUF® Sheets.

Profile	Distance between purlins
SUNTUF Iron/Greca	600mm to 800mm
SUNTUF Beehive	1000mm to 1200mm

Minimum arching radius	
SUNTUF Greca 76	4m Max
SUNTUF Iron 76	4m Max
SUNTUF Beehive	7m Max

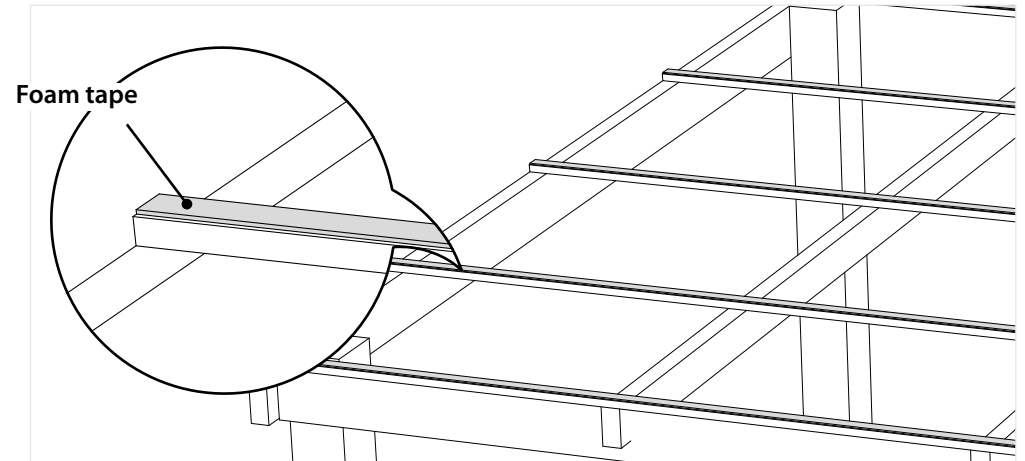


2 Ensure Minimum Roof Pitch



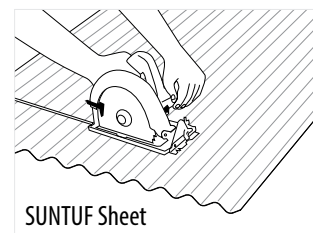
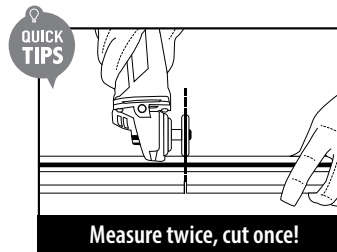
- Confirm that the roof pitch is at least 10% (200mm rise for 2m length or 250mm for 2.5m length).
- This minimum pitch will ensure proper water runoff and help keep the Roof Panels clean.

3 Foam tape application

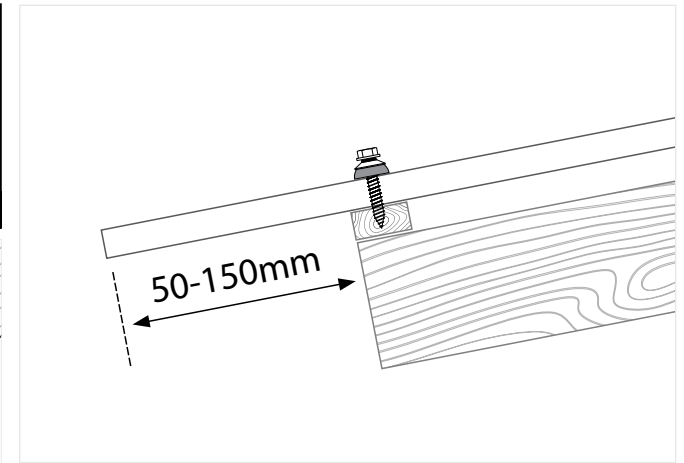


- Applying foam tape on each purlin will reduce friction and noise caused by thermal expansion.

4 Measuring and Cutting



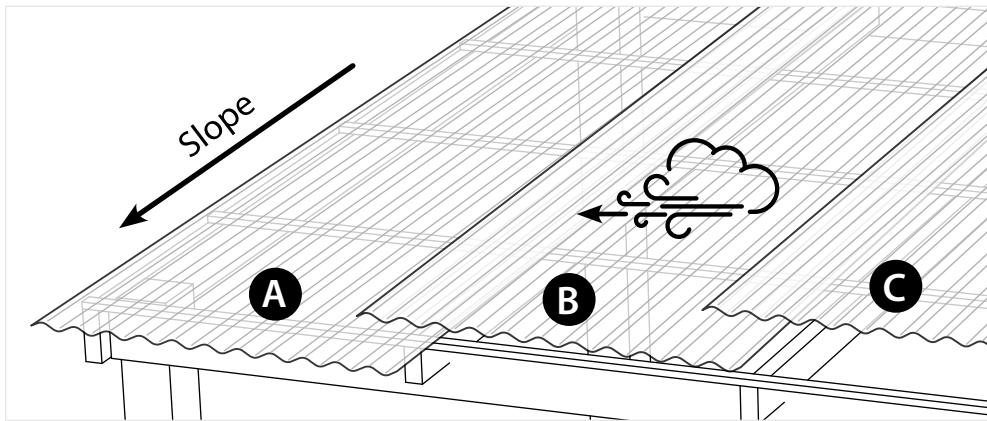
SUNTUF Sheet



- **NOTE:** if you plan to install a gutter, use a 50mm overhang.

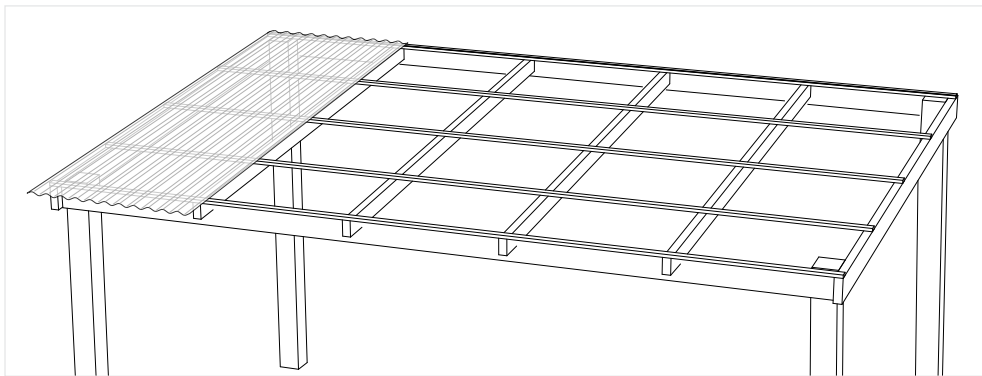
Installation

5 Layout direction



- Lay the sheets against wind direction.
- Start with the bottom sheet on the opposite side to the wind direction.
- **NOTE:** overlap 2 corrugations when slope is lower than 5%.

6 Positioning the first sheet



- Set the first sheet on the purlin, leaving 50-150mm overhang.

7 Screw scheme

SUNTUF Sinus & Beehive

Top and bottom purlins



Middle Purlins



SUNTUF Greca

Top and bottom purlins

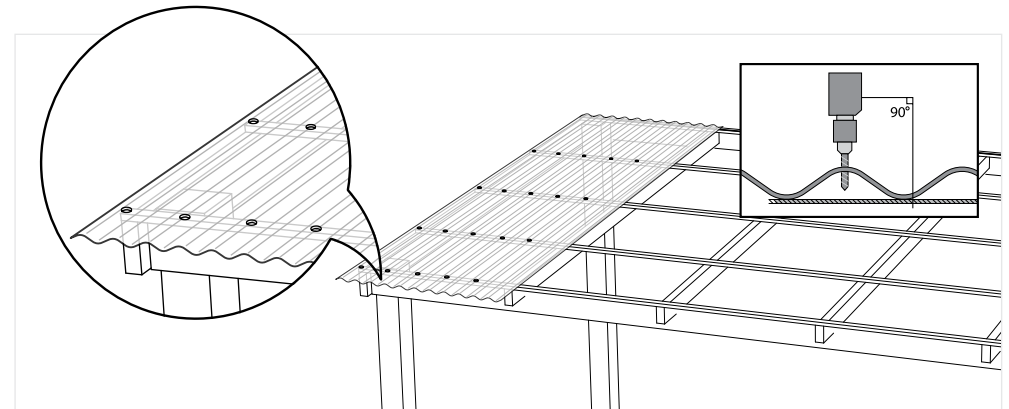


Middle Purlins



NOTE: In case you are fixing Suntuf Beehive with dual action fasteners, no drilling is necessary.

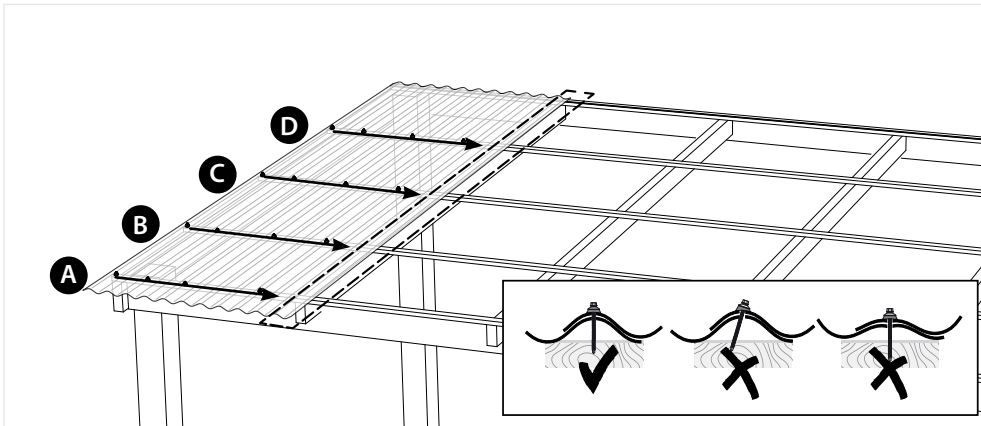
8 Drilling the first sheet



- Drill with a 10 mm diameter metal drill or a special drill for plastic.
- **NOTES:** drilling chips must be cleaned before tightening the screw.
- Do not drill the sidelap corrugation, it will be drilled together with the next sheet.
- In case of top wall trim use, **do not drill the top purlin line.**

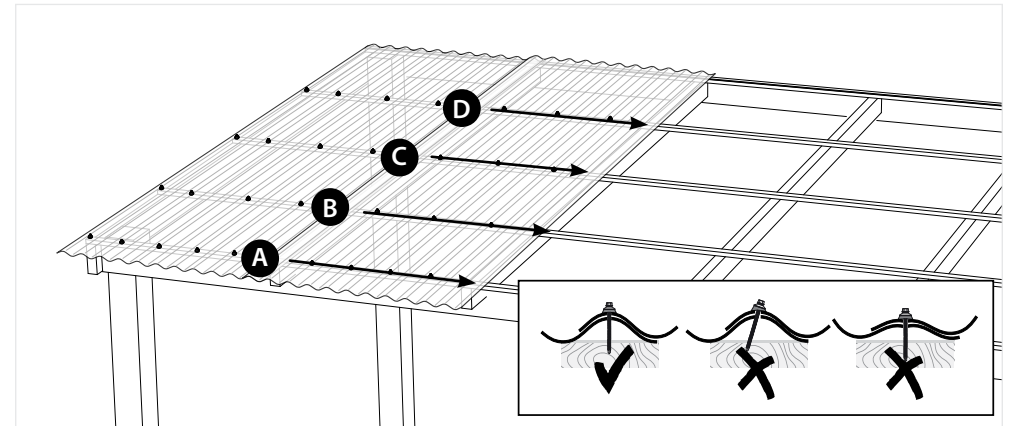
Installation

9 Fixing the first sheet



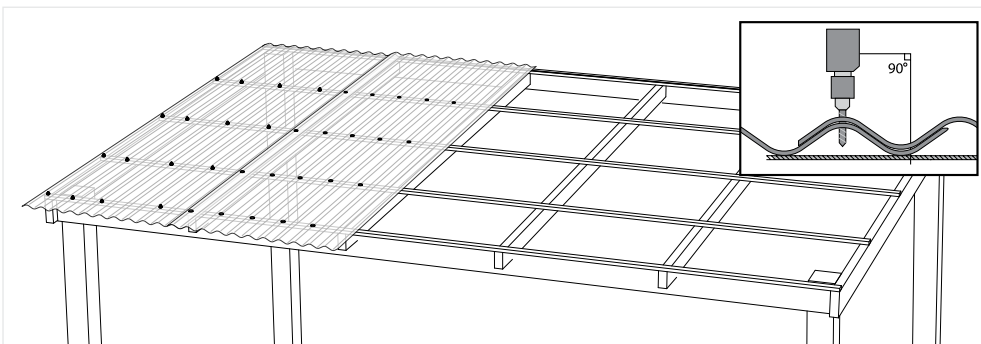
- Start fixing the screws according to screw scheme illustrated in drawing #7.
- Start at the lower end, and make your way sideways and upward.
- **NOTES:** Leave the lateral side-lap corrugation un fixed.
- It will be fixed together with the next sheet.
- In case of top wall trim use, do not drill the top purlin line.

11 Fixing the second sheet



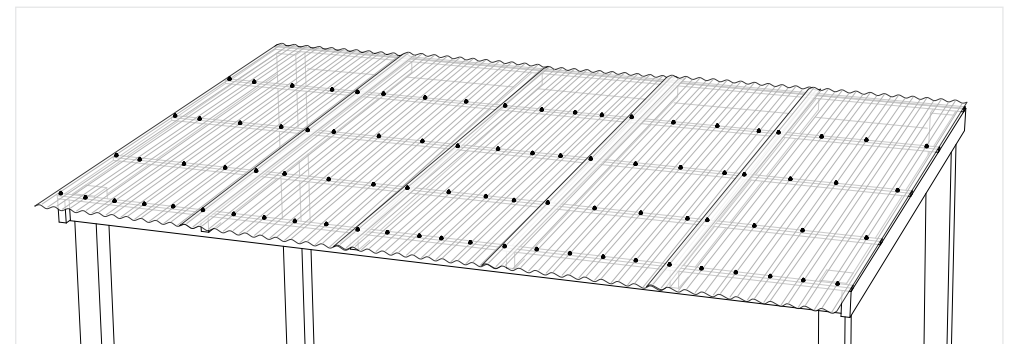
- Start fixing the screws at the overlapping corrugation
- Start at the lower end, and make your way sideways and upward.
- **NOTES:** Leave the next lateral side-lap corrugation un fixed.
- It will be fixed together with the next sheet.
- In case of top wall trim use, do not drill the top purlin line.

10 Positioning & Drilling the second sheet



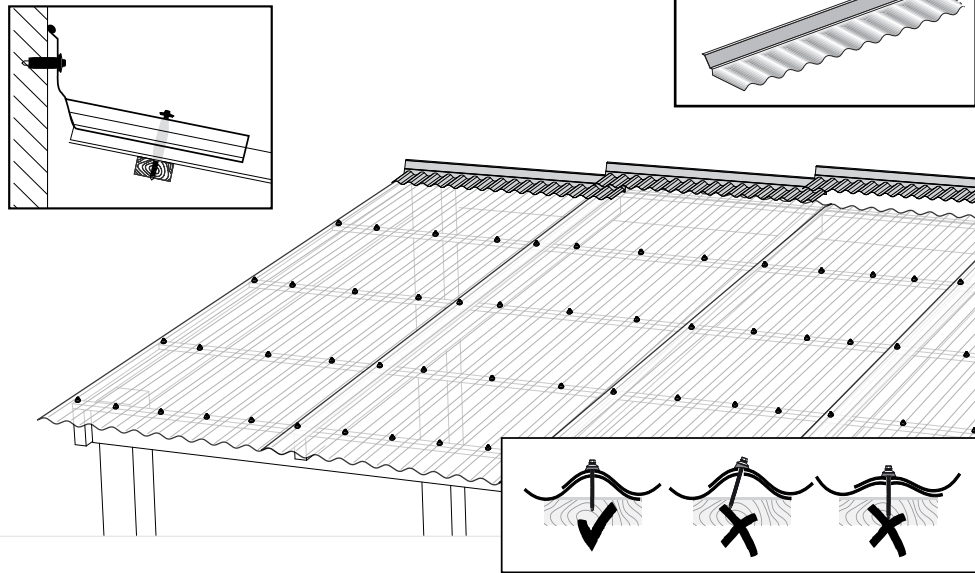
- Drill 10 mm holes through **both sheets** at the lateral overlap corrugation.
- In case of top wall trim use, leave top purlin screw line unfastened.

12 Repeat stages 10-11 until the pergola is fully covered

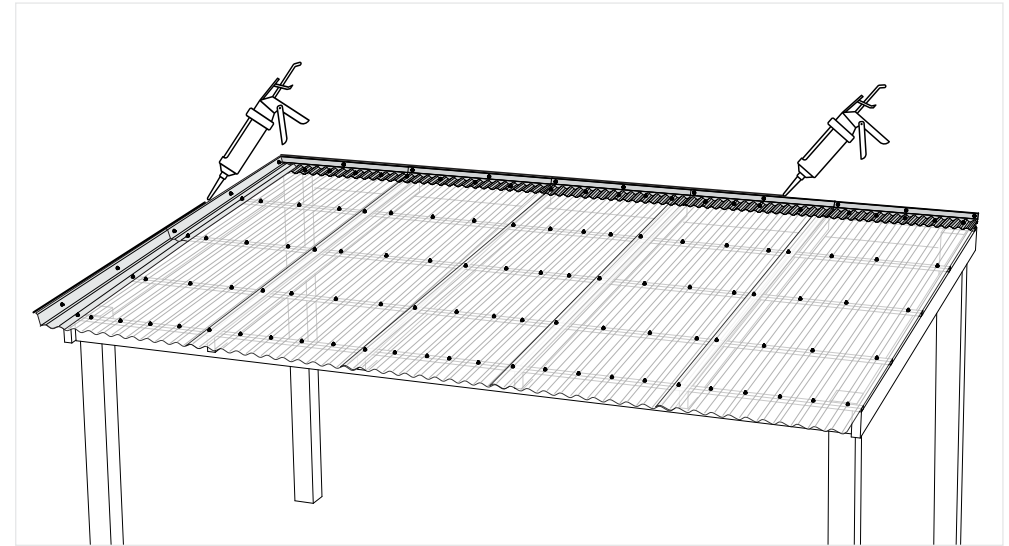


- In case of top wall trim use, leave top purlin screw line unfastened.

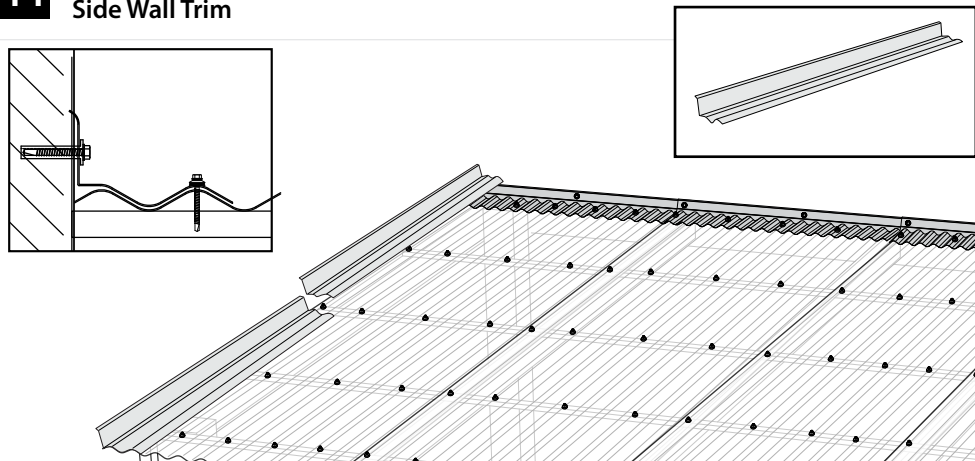
13 Top Wall Trim



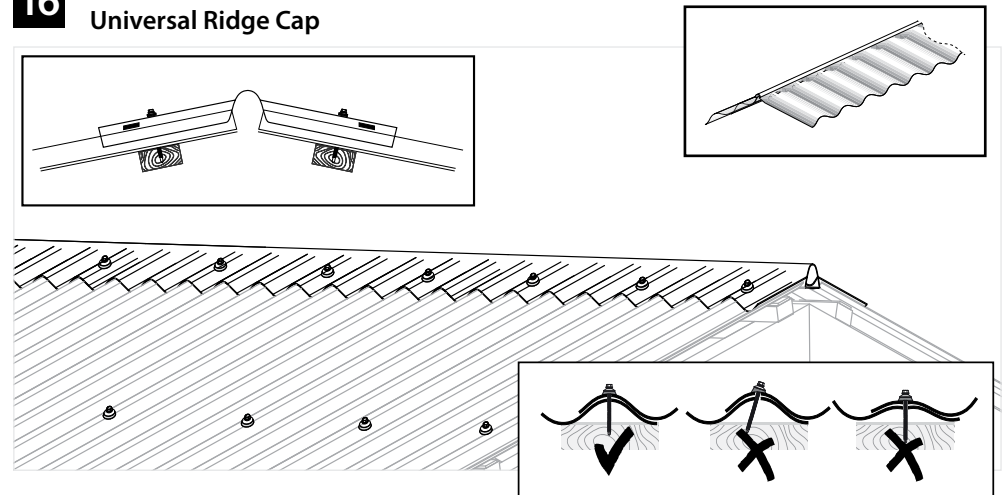
15 Complete Pergola Cover



14 Side Wall Trim



16 Universal Ridge Cap





PALRAM H.Q.
Tel: +972 4 8459900
Fax: +972 4 8444012
palram@palram.com
www.palram.com

PALRAM EUROPE LTD.
Tel: +44 1302 380777
Fax: +44 1302 380788
sales.europe@palram.com

PALRAM AMERICAS
Tel: 610 2859918
Fax: 610 2859928
palramamericas@palram.com
www.palram.com/us/

